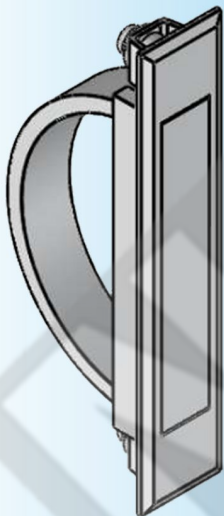


For Product Step File or 3D Model Send a Request Mail To info@nrack.com

Photo View

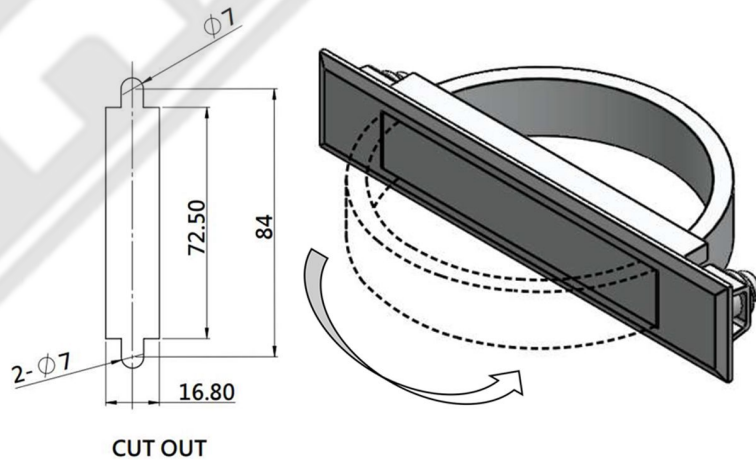
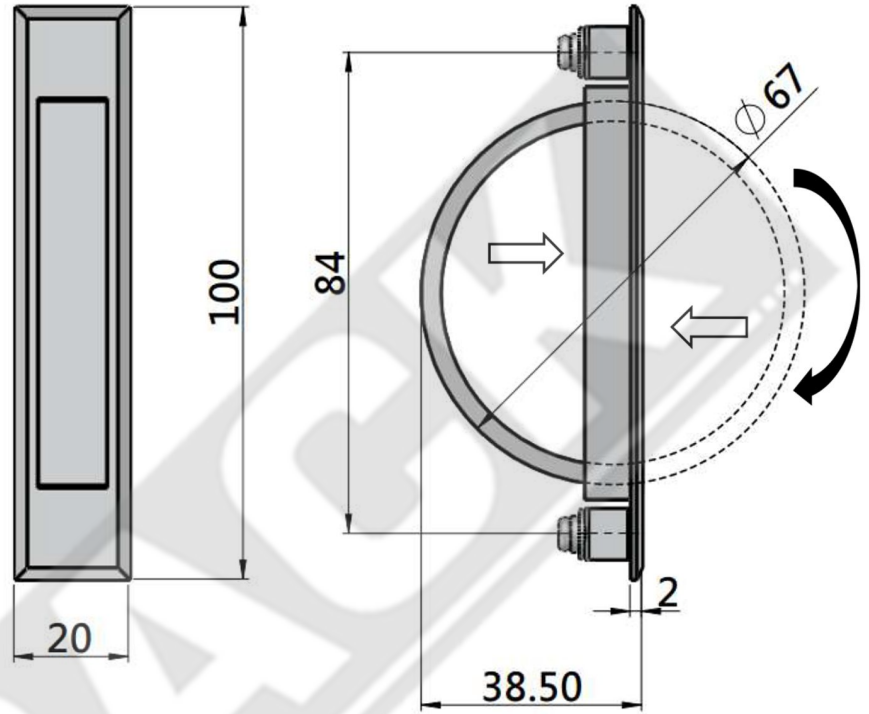


3D Rendered View



PL - 005

- Material: zinc die-casting
- Finish: Gray chrome plating
Bright chrome plating
Black powder coated



Product no.	Weight (g)	Lot
PL005	90	200